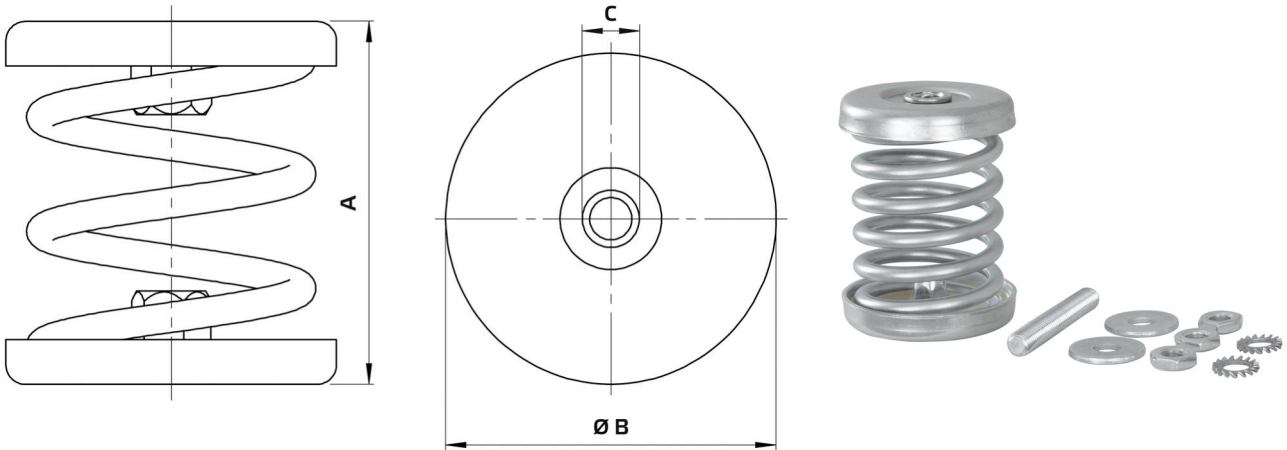


# Datasheet



Product type: **Vibration dampers**  
 Product ID: 155498  
 Product name: FSD 01



A	mm	57
B	mm	52
C	mm	8
Weight	kg	0.8

- All metal design
- Spring plate with internal thread
- Galvanically zinc coated

**Use:**

- AL 315 D4 F4 01
- AL 315 D4 01
- AL 315 D2 F4 01
- AL 315 D2 01
- AL 315 EC 01
- AL 355 D4 01
- AL 355 D4 F4 01
- AL 355 D2 F4 01
- AL 355 D2 01
- AL 355 EC 01
- AL 400 D4 F4 01
- AL 400 D4 01
- AL 400 EC 01
- AL 450 EC 01
- AL 450 EC 03

Scope of supply:  
 4x spring element  
 4x height adjustment  
 8x fender washer

155498\_pd\_k10001\_en\_20210913